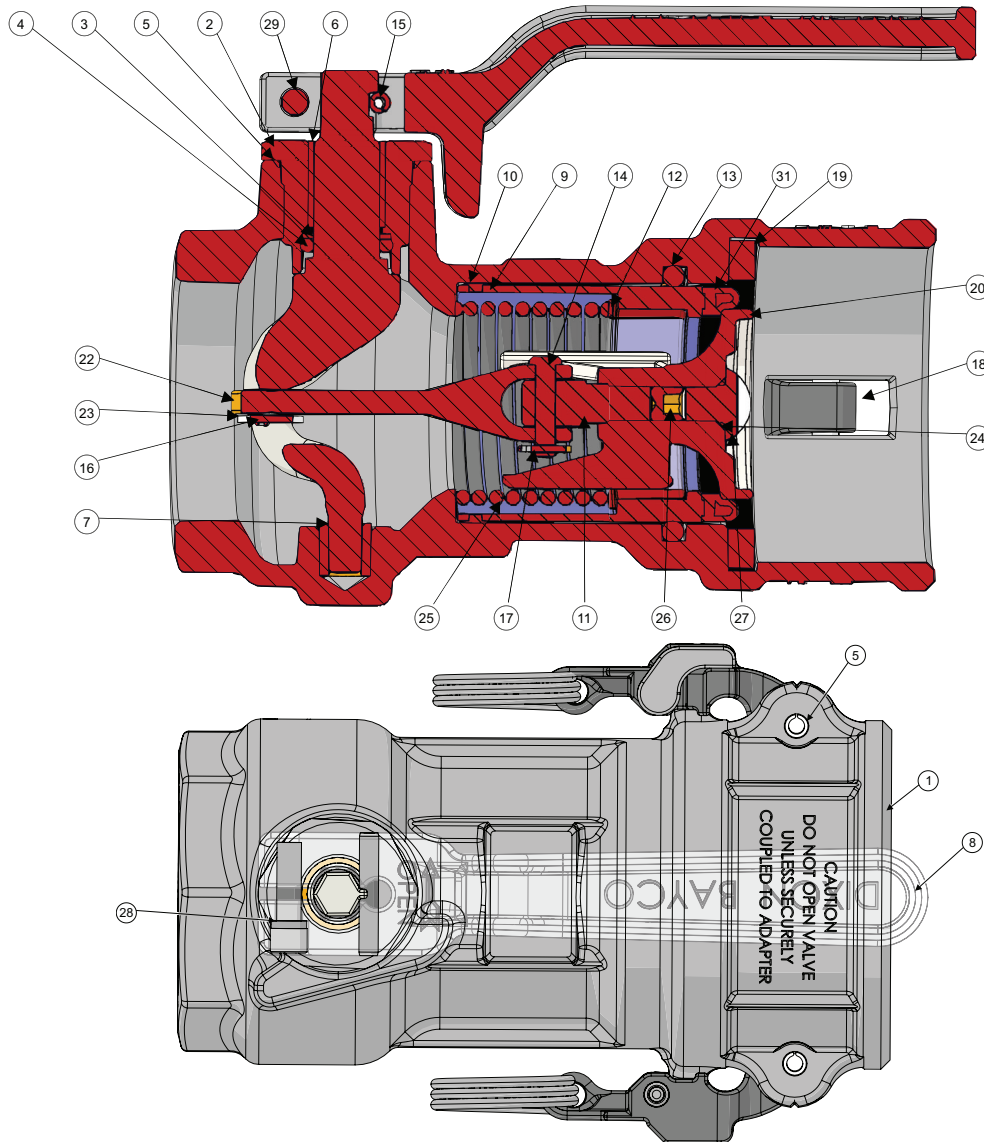


# Dry Disconnects

## DBC Cam and Groove Dry Disconnects

### Aluminum and Stainless Couplers



Bill of materials and repair kits can be found on the following pages:

<b>DBC6x-200</b>	Aluminum	see	page	2
<b>DBC7x-200</b>	Stainless	see	page	3
<b>DBC6x-300</b>	Aluminum	see	page	5
<b>DBC7x-300</b>	Stainless	see	page	6
<b>DBS6x-200</b>	Aluminum 90°	see	page	8

# Dry Disconnects

## DBC Cam and Groove Dry Disconnects

### 2" Aluminum Couplers

#### 2" aluminum coupler

#### Bill of Materials

#### DBC6x-200

Refer to drawing on page 1

Item #	Description	Part #	Qty
1	body	---	1
2	stuffing box	40074SS	1
3	back up ring	40075TF	1
4A	crank shaft O-ring Buna (for DBC61-200)	40076BN	1
4B	crank shaft O-ring FKM (for DBC62-200)	40076VI	1
4C	crank shaft O-ring FFKM (for DBC63-200, DBC66-200 & DBC67-200)	40076KR	1
4D	crank shaft O-ring EPDM (for DBC64-200)	40076EP	1
5	stuffing box PTFE O-ring	40077TF	1
6	large crank shaft bearing	40078FG	1
7	small crank shaft bearing	40079SS	1
8	lever (handle)	40080SS	1
9A	seal cylinder (for DBC61-200)	40081ALBN	1
9B	seal cylinder (for DBC62-200)	40081ALVI	1
9C	seal cylinder (for DBC63-200, DBC66-200 & DBC67-200)	40168SS	1
9D	seal cylinder (for DBC64-200)	40081ALEP	1
10	PTFE button	40082TF	6
11	yoke	40083SS	1
12	PTFE bushing	40084TF	1
13A	body O-ring Buna (for DBC61-200)	40085BN	1
13B	body O-ring FKM (for DBC62-200)	40085VI	1
13C	body O-ring PTFE/silicone (for DBC63-200)	40085TS	1
13D	body O-ring EPDM (for DBC64-200)	40085EP	1
13E	body O-ring FFKM (for DBC66-200)	40085KR	1
13F	body O-ring PTFE/FFKM (for DBC67-200)	40085TV	1
14	link rivet	40086SS	1
15	groove pin	40087SS	1
16	crank shaft cotter pin	40088SS	1
17	link cotter pin	40088SS	1
18	EZ Boss-Lock™ cam arm	40089SS	2
19A	cam gasket Buna (for DBC61-200)	250-G-BU	1
19B	cam gasket FKM (for DBC62-200)	250-G-VI	1
19C	cam gasket PTFE/silicone (for DBC63-200)	250-G- <i>TES</i>	1
19D	cam gasket EPR (for DBC64-200)	250-G- <i>EPR</i>	1
19E	cam gasket PTFE/FFKM (for DBC66-200 & DBC67-200)	250-G- <i>TFVI</i>	1
20	poppet	40091SS	1
21	crank shaft	40092SS	1
22	link arm	40093SS	1
23	link washer	40094SS	1
24	poppet screw PTFE O-ring	40095TF	1
25	cylinder spring	DBCxx-200RK8	1
26	set screw	40097SS	1
27	poppet screw (round head)	40098SS	1
28	lock washer	40099SS	1
29	socket head cap screw	40100SS	1
30	cam arm spring pin	40101SS	2
31	nose seal (for DBC63-200, DBC66-200 & DBC67-200)	40170TF	1

#### Repair Kits

Part #	Description	Includes Item #
<b>DBCx1-200RK1</b> (Buna-N)	seal kit, Buna crank shaft O-ring, PTFE stuffing box O-ring, Buna body O-ring, Buna cam gasket, PTFE O-ring (for DBC61-200)	4A, 5, 13A, 19A, 24
<b>DBCx2-200RK1</b> (FKM)	seal kit, FKM crank shaft O-ring, PTFE stuffing box O-ring, FKM body O-ring, FKM cam gasket, PTFE O-ring (for DBC62-200)	4B, 5, 13B, 19B, 24
<b>DBCx3-200RK1</b> (PTFE/silicone and FFKM)	seal kit, FFKM crank shaft O-ring, PTFE stuffing box O-ring, PTFE/silicone body O-ring, PTFE/silicone cam gasket, PTFE O-ring (for DBC63-200)	4C, 5, 13C, 19C, 24
<b>DBCx4-200RK1</b> (EPDM)	seal kit, EPDM crank shaft O-ring, PTFE stuffing box O-ring, EPDM body O-ring, EPR cam gasket, PTFE O-ring (for DBC64-200)	4D, 5, 13D, 19D, 24
<b>DBCx6-200RK1</b> (FFKM & PTFE/ FKM)	seal kit, FFKM crank shaft O-ring, PTFE stuffing box O-ring, FFKM body O-ring, PTFE/FFKM cam gasket, PTFE O-ring (for DBC66-200)	4C, 5, 13E, 19E, 24
<b>DBCx7-200RK1</b> (FFKM & PTFE/ FKM)	seal kit, FFKM crank shaft O-ring, PTFE stuffing box O-ring, PTFE/FFKM body O-ring, PTFE/FFKM cam gasket, PTFE O-ring (for DBC67-200)	4C, 5, 13F, 19E, 24
<b>DBC61-200RK2</b>	Buna seal cylinder, PTFE buttons and PTFE bushing (for DBC61-200)	9A, 10, 12
<b>DBC62-200RK2</b>	FKM seal cylinder, PTFE buttons and PTFE bushing (for DBC62-200)	9B, 10, 12
<b>DBCx3-200RK2</b>	PTFE nose seal, PTFE buttons and PTFE bushing (for DBC63-200, DBC66-200 & DBC67-200)	10, 12, 31
<b>DBC64-200RK2</b>	EPDM seal cylinder, PTFE buttons and PTFE bushing (for DBC64-200)	9D, 10, 12
<b>DBCxx-200RK4</b>	link kit, link rivet, cotter pins, link washer, link arm and yoke (for all 2" aluminum)	11, 14, 16, 22, 23
<b>DBCxx-200RK5</b>	stuffing box kit, stuffing box, PTFE O-ring & large crank shaft bearing (for all 2" aluminum)	2, 5, 6
<b>DBCxx-200RK6</b>	lever (handle) kit, lever, groove pin, lock washer & socket head cap screw (for all 2" aluminum)	8, 15, 28, 29
<b>DBCxx-200RK7</b>	crank shaft kit, crank shaft, cotter pin & washer (for all 2" aluminum)	16, 21, 23
<b>DBCxx-200RK8</b>	main cylinder spring	25
<b>DBCxx-200RK9</b>	poppet kit, poppet, round head screw, set screw and PTFE O-Ring (for all 2" aluminum)	20, 24, 26, 27
<b>DBCL-200</b>	optional add on padlock-able lever kit, handle (for all 2")	not illustrated

Petroleum Replacement Parts

## DBC Cam and Groove Dry Disconnects 2" Stainless Couplers

2" stainless coupler

Bill of Materials

DBC7x-200

Refer to drawing on page 1

Item #	Description	Part #	Qty
1	body	---	1
2	stuffing box	40074SS	1
3	back up ring	40075TF	1
4A	crank shaft O-ring Buna (for DBC71-200)	40076BN	1
4B	crank shaft O-ring FKM (for DBC72-200)	40076VI	1
4C	crank shaft O-ring FFKM (for DBC73-200, DBC77-200, DBC76-200)	40076KR	1
4D	crank shaft O-ring EPDM (for DBC74-200)	40076EP	1
5	stuffing box PTFE O-ring	40077TF	1
6	large crank shaft bearing	40078FG	1
7	small crank shaft bearing	40079SS	1
8	lever (handle)	40080SS	1
9A	seal cylinder (for DBC71-200)	40081SSBN	1
9B	seal cylinder (for DBC72-200)	40081SSVI	1
9C	seal cylinder (for DBC73-200, DBC76-200, DBC77-200)	40168SS	1
9D	seal cylinder (for DBC74-200)	40081SSEP	6
10	PTFE button	40082TF	1
11	yoke	40083SS	1
12	PTFE bushing	40084TF	1
13A	body O-ring Buna (for DBC71-200)	40085BN	1
13B	body O-ring FKM (for DBC72-200)	40085VI	1
13C	body O-ring PTFE/silicone (for DBC73-200)	40085TS	1
13D	body O-ring EPDM (for DBC74-200)	40085EP	1
13E	body O-ring FFKM (for DBC76-200)	40085KR	1
13F	body O-ring PTFE/FKM (DBC77-200)	40085TV	1
14	link rivet	40086SS	1
15	groove pin	40087SS	1
16	crank shaft cotter pin	40088SS	1
17	link cotter pin	40088SS	2
18	EZ Boss-Lock™ cam arm	40089SS	1
19A	cam gasket Buna (for DBC71-200)	250-G-BU	1
19B	cam gasket FKM (for DBC72-200)	250-G-VI	1
19C	cam gasket PTFE/silicone (for DBC73-200)	250-G-TESS	1
19D	cam gasket EPDM (for DBC74-200)	250-G-EPR	1
19E	cam gasket PTFE/FKM (for DBC76-200, DBC77-200)	250-G-TEV	1
20	poppet	40091SS	1
21	crank shaft	40092SS	1
22	link arm	40093SS	1
23	link washer	40094SS	1
24	poppet screw PTFE O-ring	40095TF	1
25	cylinder spring	40096SS	1
26	set screw	40097SS	1
27	poppet screw (round head)	40098SS	1
28	lock washer	40099SS	1
29	socket head cap screw	40100SS	1
30	cam arm spring pin	40101SS	2
31	nose seal (for DBC73-200, DBC76-200 and DBC77-200)	40170TF	1

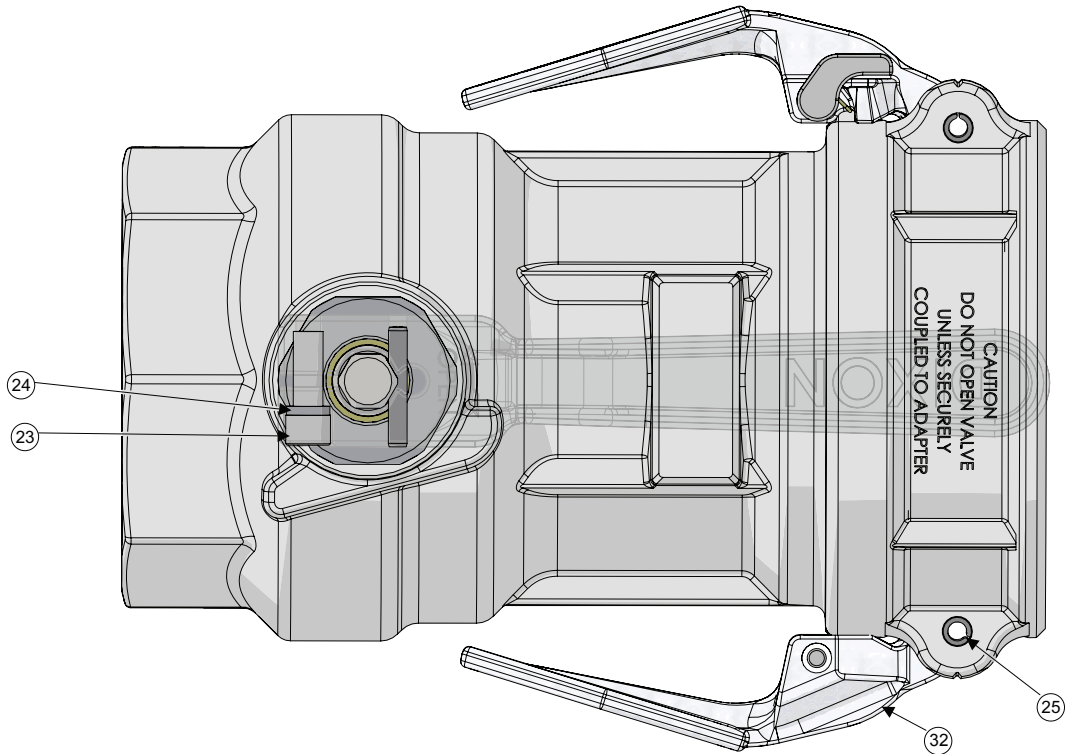
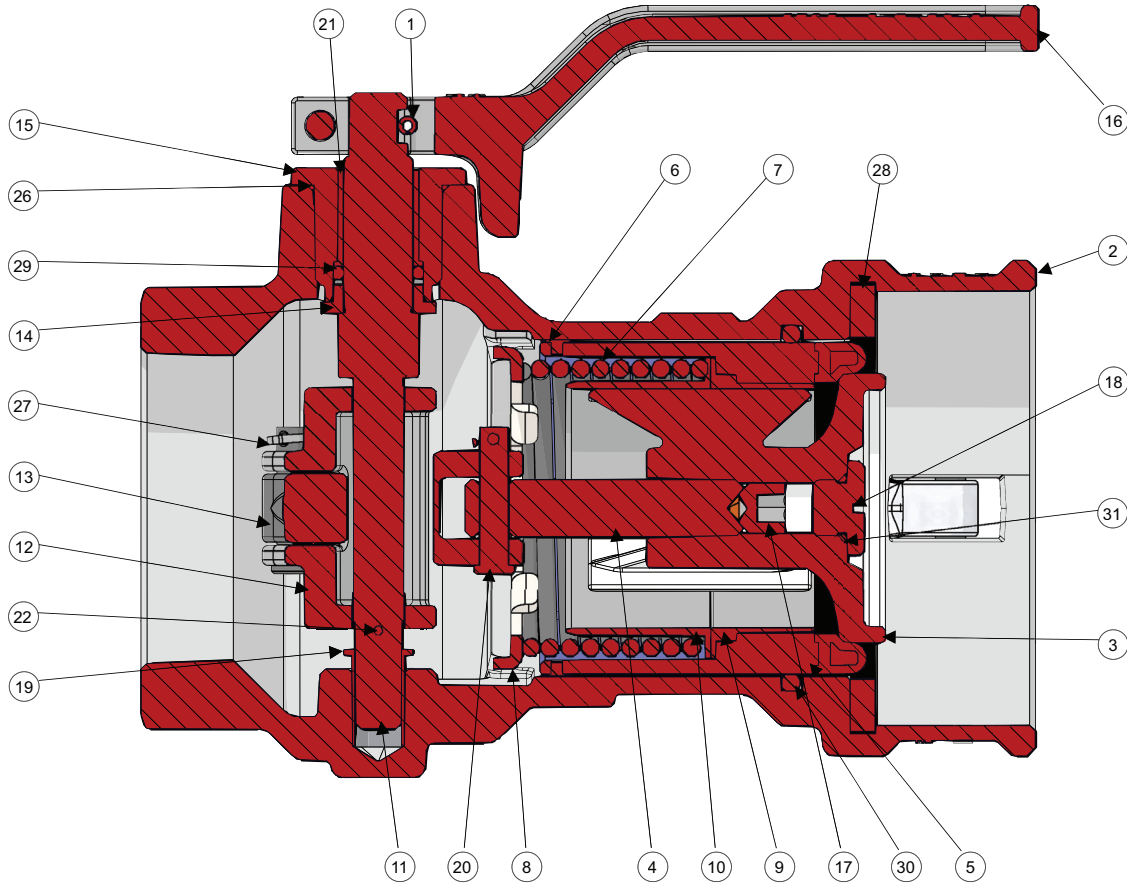
### Repair Kits

Part #	Description	Includes Item #
<b>DBCx1-200RK1</b> (Buna-N)	seal kit, Buna crank shaft O-ring, PTFE stuffing box O-ring, Buna body O-ring, Buna cam gasket, PTFE O-ring (for DBC71-200)	4A, 5, 13A, 19A, 24
<b>DBCx2-200RK1</b> (FKM)	seal kit, FKM crank shaft O-ring, PTFE stuffing box O-ring, FKM body O-ring, FKM cam gasket, PTFE O-ring (for DBC72-200)	4B, 5, 13B, 19B, 24
<b>DBCx3-200RK1</b> (PTFE/silicone and FFKM)	seal kit, FFKM crank shaft O-ring, PTFE stuffing box O-ring, PTFE/silicone body O-ring, PTFE/silicone cam gasket, PTFE O-ring (for DBC73-200)	4C, 5, 13C, 19C, 24
<b>DBCx4-200RK1</b> (EPDM)	seal kit, EPDM crank shaft O-ring, PTFE stuffing box O-ring, EPDM body O-ring, EPDM cam gasket, PTFE O-ring (for DBC74-200)	4D, 5, 13D, 19D, 24
<b>DBCx6-200RK1</b> (FFKM & PTFE/FKM)	seal kit, FFKM crank shaft O-ring, PTFE stuffing box O-ring, FFKM body O-ring, PTFE/FKM cam gasket, PTFE O-ring (for DBC76-200)	4C, 5, 13E, 19E, 24
<b>DBCx7-200RK1</b> (PTFE/FKM and FFKM)	seal kit, FFKM crank shaft O-ring, PTFE stuffing box O-ring, PTFE/FKM body O-ring, PTFE/FKM cam gasket, PTFE O-ring (for DBC77-200)	4C, 5, 13F, 19E, 24
<b>DBC71-200RK2</b>	Buna seal cylinder, PTFE buttons and PTFE bushing (for DBC71-200)	9A, 10, 12
<b>DBC72-200RK2</b>	FKM seal cylinder, PTFE buttons and PTFE bushing (for DBC72-200)	9B, 10, 12
<b>DBCx3-200RK2</b>	PTFE nose seal, PTFE buttons and PTFE bushing (for DBC73-200, DBC76-200 & DBC77-200)	10, 12, 31
<b>DBC74-200RK2</b>	EPDM seal cylinder, PTFE buttons & PTFE bushing (for DBC74-200)	9D, 10, 12
<b>DBCxx-200RK4</b>	link kit, link rivet, cotter pins, link washer, link arm, yoke (for all 2" SS)	11, 14, 16, 17, 22, 23
<b>DBCxx-200RK5</b>	stuffing box kit, stuffing box, PTFE O-ring and large crank shaft bearing (for all 2" SS)	2, 5, 6
<b>DBCxx-200RK6</b>	lever (handle) kit, lever, groove pin, lock washer and socket head cap screw (for all 2" SS)	8, 15, 28, 29
<b>DBCxx-200RK7</b>	crank shaft kit, crank shaft, cotter pin and washer (for all 2" SS)	16, 21, 23
<b>DBCxx-200RK8</b>	main cylinder spring	25
<b>DBCxx-200RK9</b>	poppet kit, poppet, round head screw, set screw and PTFE O-ring (for all 2" SS)	20, 24, 26, 27
<b>DBCL-200</b>	optional add on padlockable lever kit (handle) (for all 2")	not illustrated

Petroleum Replacement Parts

# DBC Cam and Groove Dry Disconnects

## 3" Aluminum Couplers





## DBC Cam and Groove Dry Disconnects

3" aluminum coupler

3" Aluminum Couplers

Bill of Materials

DBC6x-300

Refer to drawing on page 4

Item #	Description	Part #	Qty
1	groove pin	40087SS	1
2	body	---	1
3	poppet	40195SS	1
4	stem	40196SS	1
5A	seal cylinder (for DBC61-300)	40197ALBN	1
5B	seal cylinder (for DBC62-300)	40197ALVI	1
5C	seal cylinder (for DBC63-300, DBC66-300 & DBC67-300)	40304SS	1
5D	seal cylinder (for DBC64-300)	40197SSEP	1
5E	seal cylinder (for DBC69-300)	40197SSVB	1
6	PTFE button	40198TF	8
7	cylinder spring	DBCxx-300RK8	1
8	poppet spring seat	40200AL	1
9	PTFE bushing	40201TF	1
10	poppet spring guide	40202SS	1
11	shaft	40203SS	1
12	yoke	40204SS	1
13	link	40205SS	1
14	shaft retainer	40206SS	1
15	stuffing box	40207SS	1
16	lever (handle)	40208SS	1
17	set screw	40209SS	1
18	poppet screw	40210SS	1
19	PTFE bearing	40211TF	1
20	clevis pin	40212SS	2
21	bearing	40213FG	1
22	cotter pin	40214SS	1
23	lever (handle) screw	40216SS	1
24	lever (handle) lock washer	40217SS	1
25	cam arm pin	40218SS	2
26	PTFE O-ring	40219TF	1
27	cotter pin	40221SS	2
28A	Buna coupler gasket (for DBC61-300)	DBCx1-300RK3	1
28B	FKM coupler gasket (for DBC62-300)	DBCx2-300RK3	1
28C	PTFE/silicone coupler gasket (for DBC63-300)	DBCx3-300RK3	1
28D	EPDM coupler gasket (for DBC64-300)	DBCx4-300RK3	1
28E	PTFE/FFKM coupler gasket (for DBC66-300 & DBC67-300)	40222TV	1
28F	FKM-B coupler gasket (for DBC69-300)	DBCx9-300RK3	1
29A	Buna O-ring (for DBC61-300)	40223BN	1
29B	FKM O-ring (for DBC62-300)	40223VI	1
29C	FFKM O-ring (for DBC63-300, DBC66-300 & DBC67-300)	40223KR	1
29D	EPDM O-ring (for DBC64-300)	40223EP	1
29E	FKM-B O-ring (for DBC69-300)	40223VB	1
30A	Buna O-ring (for DBC61-300)	40224BN	1
30B	FKM O-ring (for DBC62-300)	40224VI	1
30C	PTFE/silicone O-Ring (for DBC63-300)	40224TS	1
30D	EPDM O-ring (for DBC64-300)	40224EP	1
30E	FFKM O-ring (for DBC66-300)	40224KR	1
30F	PTFE/FFKM O-ring (for DBC67-300)	40224TV	1
30G	FKM-B O-ring (for DBC69-300)	40224VB	1
31	PTFE O-ring	40235TF	1
32	locking paddle arm	40285SSSS	2
33	nose seal (for DBC63-300, DBC66-300 & DBC67-300)	40305TF	1

### Repair Kits

Part #	Description	Includes Item #
<b>DBCx1-300RK1</b> (Buna-N)	seal kit, Buna stuffing box O-ring, PTFE stuffing box to body O-ring, Buna body O-ring, Buna cam gasket, PTFE Poppet screw O-ring (for DBC61-300)	26, 28A, 29A, 30A, 31
<b>DBCx2-300RK1</b> (FKM)	seal kit, FKM stuffing box O-ring, PTFE stuffing box to body O-ring, FKM body O-ring, FKM cam gasket, PTFE Poppet screw O-ring (for DBC62-300)	26, 28B, 29B, 30B, 31
<b>DBCx3-300RK1</b> (PTFE/silicone & FFKM)	seal kit, FFKM stuffing box O-ring, PTFE stuffing box to body O-ring, PTFE/silicone body O-ring, PTFE/silicone cam gasket, PTFE Poppet screw O-ring (for DBC63-300)	26, 28C, 29C, 30C, 31
<b>DBCx4-300RK1</b> (EPDM)	seal kit, EPDM stuffing box O-ring, PTFE stuffing box to body O-ring, EPDM body O-ring, EPDM cam gasket, PTFE Poppet screw O-ring (for DBC64-300)	26, 28D, 29D, 30D, 31
<b>DBCx6-300RK1</b> (FFKM and PTFE/FFKM)	seal kit, FFKM stuffing box O-ring, PTFE stuffing box to body O-ring, FFKM body O-ring, PTFE/FFKM cam gasket, PTFE poppet screw O-ring (for DBC66-300)	26, 28E, 29C, 30E, 31
<b>DBCx7-300RK1</b> (PTFE/FFKM and FFKM)	seal kit, FFKM stuffing box O-ring, PTFE stuffing box to body O-ring, PTFE/FFKM body O-ring, PTFE/FFKM cam gasket, PTFE Poppet screw O-ring (for DBC67-300)	26, 28E, 29C, 30F, 31
<b>DBCx9-300RK1</b> (FKM-B)	seal kit, FKM-B stuffing box O-ring, PTFE stuffing box to body O-ring, FKM-B body O-ring, FKM-B cam gasket, PTFE Poppet screw O-ring (for DBC69-300)	26, 28F, 29E, 30G, 31
<b>DBC61-300RK2</b>	Buna seal cylinder, PTFE buttons and PTFE bushing (for DBC61-300)	5A, 6, 9
<b>DBC62-300RK2</b>	FKM seal cylinder, PTFE buttons and PTFE bushing (for DBC62-300)	5B, 6, 9
<b>DBCx3-300RK2</b>	PTFE nose seal, PTFE buttons and PTFE bushing (for DBC63-300, DBC66-300 & DBC67-300)	6, 9, 33
<b>DBC64-300RK2</b>	EPDM seal cylinder, PTFE buttons and PTFE bushing (for DBC64-300)	5D, 6, 9
<b>DBC69-300RK2</b>	FKM-B seal cylinder, PTFE buttons and PTFE bushing (for DBC69-300)	5E, 6, 9
<b>DBCx1-300RK3</b>	Buna coupler gasket	28A
<b>DBCx2-300RK3</b>	FKM coupler gasket	28B
<b>DBCx3-300RK3</b>	PTFE/silicone coupler gasket	28C
<b>DBCx4-300RK3</b>	EPDM coupler gasket	28D
<b>DBCx9-300RK3</b>	FKM-B coupler gasket	28F
<b>DBCxx-300RK4</b>	link kit, clevis pin, cotter pin, stem, link and yoke (for all 3" aluminum)	4, 12, 13, 20, 22, 27
<b>DBCxx-300RK5</b>	stuffing box kit, stuffing box, PTFE O-ring & bearing	15, 21, 26
<b>DBCxx-300RK6</b>	lever (handle) kit, lever, groove pin, lock washer & socket head cap screw (for all 3" aluminum)	1, 16, 23, 24
<b>DBCxx-300RK7</b>	shaft kit, shaft, cotter pin, bearing, shaft retainer	11, 14, 19, 22
<b>DBCxx-300RK8</b>	main cylinder spring	7
<b>DBCxx-300RK9</b>	poppet kit, poppet and screw, set screw and PTFE O-ring	3, 17, 18, 31

Petroleum Replacement Parts

## DBC Cam and Groove Dry Disconnects

3" stainless coupler

3" Stainless Couplers

Bill of Materials

DBC7x-300v

Refer to drawing on page 4

Item #	Description	Part #	Qty
1	groove pin	40087SS	1
2	body	---	1
3	poppet	40195SS	1
4	stem	40196SS	1
5A	seal cylinder Buna (for DBC71-300)	40197SSBN	1
5B	seal cylinder FKM (for DBC72-300)	40197SSVI	1
5C	stainless cylinder (for DBC73-300, DBC76-300 & DBC77-300)	40304SS	1
5D	seal cylinder EPDM (for DBC74-300)	40197SSEP	1
5E	seal cylinder FKM-B (for DBC79-300)	40197SSVB	1
6	PTFE button	40198TF	8
7	cylinder spring	DBCxx-300RK8	1
8	spring seat	40200SS	1
9	PTFE bushing	40201TF	1
10	spring guide	40202SS	1
11	shaft	40203SS	1
12	yoke	40204SS	1
13	link arm	40205SS	1
14	shaft retainer	40206SS	1
15	stuffing box	40207SS	1
16	lever (handle)	40208SS	1
17	set screw	40209SS	1
18	poppet screw	40210SS	1
19	PTFE bearing	40211TF	1
20	clevis pin	40212SS	2
21	bearing	40213FG	1
22	cotter pin	40214SS	1
23	lever (handle) screw	40216SS	1
24	lever (handle) lock washer	40217SS	1
25	cam arm pin	40218SS	2
26	PTFE O-ring	40219TF	1
27	cotter pin	40221SS	2
28A	Buna coupler gasket (for DBC71-300)	DBCx1-300RK3	1
28B	FKM coupler gasket (for DBC72-300)	DBCx2-300RK3	1
28C	PTFE/silicone coupler gasket (for DBC73-300)	40222TS	1
28D	EPDM coupler gasket (for DBC74-300)	40222EP	1
28E	PTFE/FKM coupler gasket (for DBC76-300 & DBC77-300)	40222TV	1
28F	FKM-B coupler gasket (for DBC79-300)	DBCx9-300RK3	1
29A	Buna O-ring (for DBC71-300)	40223BN	1
29B	FKM O-ring (for DBC72-300)	40223VI	1
29C	FFKM O-ring (for DBC73-300, DBC76-300 and DBC77-300)	40223KR	1
29D	EPDM O-ring (for DBC74-300)	40223EP	1
29E	FKM-B O-ring (for DBC79-300)	40223VB	1
30A	Buna O-ring (for DBC71-300)	40224BN	1
30B	FKM O-ring (for DBC72-300)	40224VI	1
30C	PTFE/silicone O-ring (for DBC73-300)	40224TS	1
30D	EPDM O-ring (for DBC74-300)	40224EP	1
30E	FFKM O-ring (for DBC76-300)	40224KR	1
30F	PTFE/FKM O-ring (for DBC77-300)	40224TV	1
30G	FKM-B O-ring (for DBC79-300)	40224VB	1
31	PTFE O-ring	40235TF	1
32	locking paddle arm	40285SSSS	2
33	PTFE nose seal (for DBC73-300, DBC76-300 and DBC77-300)	40305TF	1

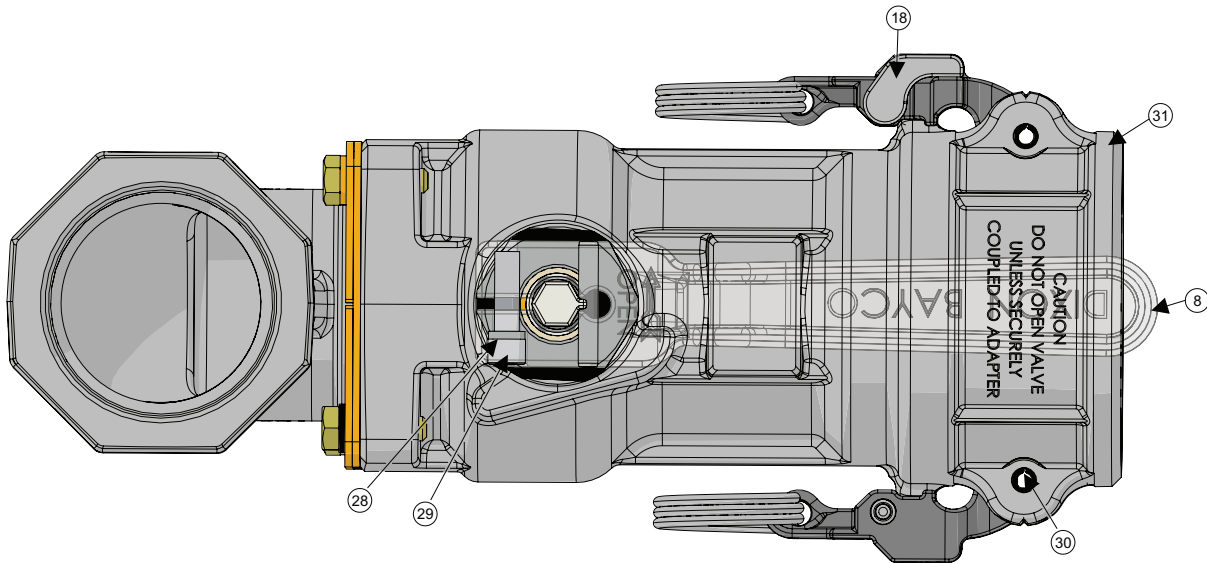
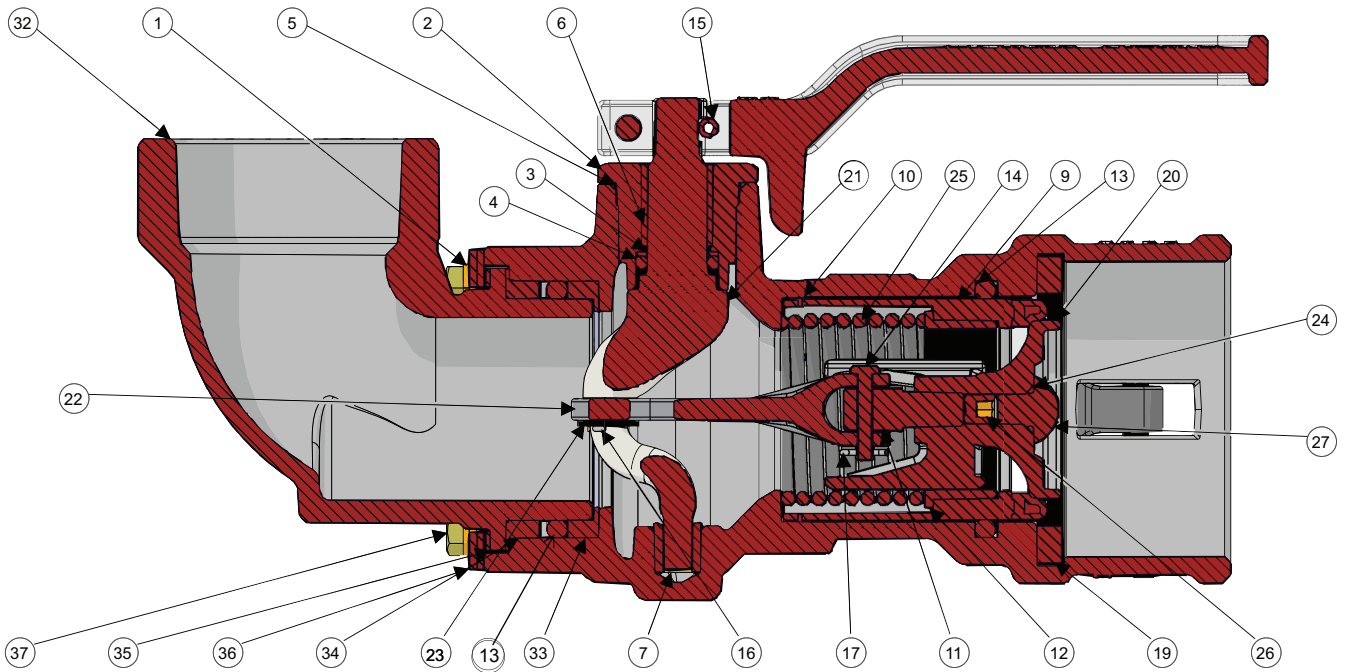
### Repair Kits

Part #	Description	Includes Item #
DBCx1-300RK1 (Buna-N)	seal kit, Buna stuffing box O-ring, PTFE stuffing box to body O-ring, Buna body O-ring, Buna cam gasket, PTFE poppet screw O-ring (for DBC71-300)	26, 28A, 29A, 30A, 31
DBCx2-300RK1 (FKM)	seal kit, FKM stuffing box O-ring, PTFE stuffing box to body O-ring, FKM body O-ring, FKM cam gasket, PTFE poppet screw O-ring (for DBC72-300)	26, 28B, 29B, 30B, 31
DBCx3-300RK1 (PTFE/silicone & FFKM)	seal kit, FFKM stuffing box O-ring, PTFE stuffing box to body O-ring, PTFE/silicone body O-ring, PTFE/silicone cam gasket, PTFE poppet screw O-ring (for DBC73-300)	26, 28C, 29C, 30C, 31
DBCx4-300RK1 (EPDM)	seal kit, EPDM stuffing box O-ring, PTFE stuffing box to body O-ring, EPDM body O-ring, EPDM cam gasket, PTFE poppet screw O-ring (for DBC74-300)	26, 28D, 29D, 30D, 31
DBCx6-300RK1 (FFKM and PTFE/FKM)	seal kit, FFKM stuffing box O-ring, PTFE stuffing box to body O-ring, FFKM body O-ring, PTFE/FKM cam gasket, PTFE poppet screw O-ring (for DBC76-300)	26, 28E, 29C, 30E, 31
DBCx7-300RK1 (PTFE/FKM & FFKM)	seal kit, FFKM stuffing box O-ring, PTFE stuffing box to body O-ring, PTFE/FKM body O-ring, PTFE/FKM cam gasket, PTFE poppet screw O-ring (for DBC77-300)	26, 28E, 29C, 30F, 31
DBCx9-300RK1 (FKM-B)	seal kit, FKM-B stuffing box O-ring, PTFE stuffing box to body O-ring, FKM-B body O-ring, FKM cam gasket, PTFE poppet screw O-ring (for DBC79-300)	26, 28F, 29E, 30G, 31
DBC69-300RK2	FKM-B seal cylinder, PTFE buttons and PTFE bushing (for DBC79-300)	5E, 6, 9
DBC71-300RK2	Buna seal cylinder, PTFE buttons and PTFE bushing (for DBC71-300)	5A, 6, 9
DBC72-300RK2	FKM seal cylinder, PTFE buttons and PTFE bushing (for DBC72-300)	5B, 6, 9
DBCx3-300RK2	PTFE nose seal, PTFE buttons & PTFE bushing (for DBC73-300, DBC76-300 and DBC77-300)	6, 9, 33
DBC74-300RK2	EPDM seal cylinder, PTFE buttons and PTFE bushing (for DBC74-300)	5D, 6, 9
DBCX1-300RK3	Buna coupler gasket	28A
DBCx2-300RK3	FKM coupler gasket	28B
DBCxx-300RK4	link kit, clevis pin, cotter pin, stem, link arm and yoke (for all 3" SS)	4, 12, 13, 20, 22, 27
DBCxx-300RK5	stuffing box kit, stuffing box, PTFE O-ring & bearing (for all 3" SS)	15, 21, 26
DBCxx-300RK6	lever (handle) kit, lever, groove pin, lock washer and socket head cap screw (for all 3" SS)	1, 16, 23, 24
DBCxx-300RK7	shaft kit, shaft, cotter pin bearing, shaft retainer, (for all 3" SS)	11, 14, 19, 22
DBCxx-300RK8	main cylinder spring	7
DBCxx-300RK9	poppet kit, poppet, poppet screw, set screw and PTFE O-ring (for all 3" SS)	3, 17, 18, 31

Petroleum Replacement Parts

# DBS 90° Swivel Cam and Groove Dry Disconnects

## 2" Aluminum 90° Swivel Couplers



Petroleum  
Replacement Parts



# DBS 90° Swivel Cam and Groove Dry Disconnects

## 2" Aluminum 90° Swivel Couplers

2" aluminum 90° coupler  
 Bill of Materials DBS6x-200  
 Refer to Drawing on page 7

Item #	Description	Part #	Qty
1	lock washer	10111	4
2	stuffing box	40074SS	1
3	back up ring	40075TF	1
4A	crank shaft O-ring Buna (for DBS61-200)	40076BN	1
4B	crank shaft O-ring FKM (for DBS62-200)	40076VI	1
4C	crank shaft O-ring FFKM (for DBS63-200)	40076KR	1
5	stuffing box PTFE O-ring	40077TF	1
6	large crank shaft bearing	40078FG	1
7	small crank shaft bearing	40079SS	1
8	lever (handle)	40080SS	1
9A	seal cylinder (for DBS61-200)	40081ALBN	1
9B	seal cylinder (for DBS62-200)	40081ALVI	1
9C	seal cylinder (for DBS63-200)	40168SS	1
10	PTFE button	40082TF	6
11	yoke	40083SS	1
12	PTFE bushing	40084TF	1
13A	body and swivel Buna O-ring (for DBS61-200)	40085BN	2
13B	body and swivel FKM O-ring (for DBS62-200)	40085VI	2
13C	body and swivel PTFE/silicone O-ring (for DBS63-200)	40085TS	2
14	link rivet	40086SS	1
15	groove pin	40087SS	1
16	crank shaft cotter pin	40088SS	1
17	link cotter pin	40088SS	1
18	EZ Boss-Lock™ cam arm	40089SS	2
19A	cam gasket Buna (for DBS61-200)	250-G-BU	1
19B	cam gasket FKM (for DBS62-200)	250-G-VI	1
19C	cam gasket PTFE/silicone (for DBS63-200)	250-G-TES	1
20	poppet	40091SS	1
21	crank shaft	40092SS	1
22	link arm	40093SS	1
23	link washer	40094SS	1
24	poppet screw PTFE O-ring	40095TF	1
25	cylinder spring	DBCxx-200RK8	1
26	set screw	40097SS	1
27	poppet screw (round head)	40098SS	1
28	lock washer	40099SS	1
29	socket head cap screw	40100SS	1
30	cam arm spring pin	40101SS	2
31	main body	---	1
32	elbow body	---	1
33	bottom bearing	40106AC	1
34	top bearing	40108AC	1
35	washer	40109AC	1
36	flange retainer	40110ST	4
37	screw	40111SS	4
not illustrated	nose seal (for DBS63-200)	40170TF	1

### Repair Kits

Part #	Description	Includes Item #
<b>DBS61-200RK1</b>	seal kit, Buna crank shaft O-ring, PTFE stuffing box O-ring, Buna and Swivel body O-rings, Buna cam gasket, PTFE O-ring (for DBS61-200)	4A, 5, 13A, 19A, 24
<b>DBS62-200RK1</b>	seal kit, FKM crank shaft O-ring, PTFE stuffing box O-ring, FKM body and swivel O-rings, FKM cam gasket, PTFE O-ring (for DBS62-200)	4B, 5, 13B, 19B, 24
<b>DBS63-200RK1</b>	seal kit, Kamrez® crank shaft O-ring, PTFE stuffing box O-ring, PTFE/silicone body and swivel O-rings, PTFE/silicone cam gasket, PTFE O-ring (for DBS63-200)	4C, 5, 13C, 19C, 24
<b>DBS61-200RK4</b>	swivel rebuild kit, Buna body O-ring, top and bottom bearings, washer, flange retainers and screws (for DBS61-200)	13A, 33, 34, 35, 36, 37
<b>DBS62-200RK4</b>	swivel rebuild kit, FKM body O-ring, top and bottom bearings, washer, flange retainers and screws (for DBS62-200)	13B, 33, 34, 35, 36, 37
<b>DBS63-200RK4</b>	swivel rebuild kit, PTFE/silicone body O-ring, top and bottom bearings, washer, flange retainers and screws (for DBS63-200)	13C, 33, 34, 35, 36, 37
<b>DBS61-200RK10</b>	swivel seal kit, Buna body O-ring, top and bottom bearings (for DBS61-200)	13A, 33, 34, 35
<b>DBS62-200RK10</b>	swivel seal kit, FKM body O-ring, top and bottom bearings (for DBS62-200)	13B, 33, 34, 35
<b>DBS63-200RK10</b>	swivel seal kit, PTFE/silicone body O-ring, top and bottom bearings (for DBS63-200)	13C, 33, 34, 35
<b>DBC61-200RK2</b>	Buna seal cylinder, PTFE buttons and PTFE bushing (for DBS61-200)	9A, 10, 12
<b>DBC62-200RK2</b>	FKM seal cylinder, PTFE buttons and PTFE bushing (for DBS62-200)	9B, 10, 12
<b>DBCx3-200RK2</b>	PTFE nose seal, PTFE buttons and PTFE bushing (for DBS63-200)	10, 12, + items not illustrated
<b>DBCxx-200RK4</b>	link kit, link rivet, cotter pins, link washer, link arm and yoke (for all 2")	11, 14, 16, 17, 22, 23
<b>DBCxx-200RK5</b>	stuffing box kit, stuffing box, PTFE O-ring and large crank shaft bearing (for all 2")	2, 5, 6
<b>DBCxx-200RK6</b>	lever (handle) kit, lever, groove pin, lock washer and socket head cap screw (for all 2")	8, 15, 28, 29
<b>DBCxx-200RK7</b>	crank shaft kit, crank shaft, cotter pin and washer (for all 2")	16, 21, 23
<b>DBCxx-200RK8</b>	main cylinder spring (for all 2")	25
<b>DBCxx-200RK9</b>	poppet kit, poppet, round head screw, set screw & PTFE O-ring (for all 2")	20, 24, 26, 27
<b>DBCL-200</b>	optional add on padlockable lever kit, handle (for all 2")	not illustrated

Petroleum Replacement Parts